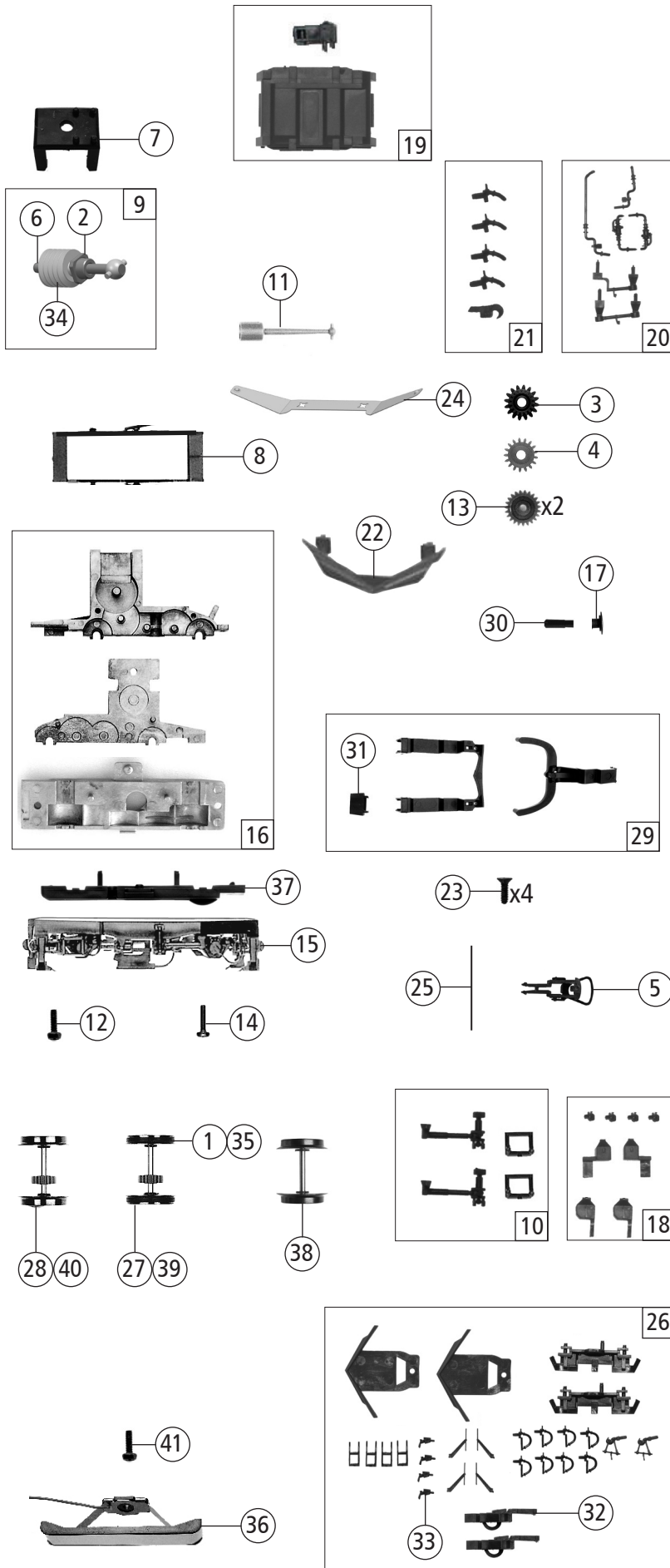


| Pos. Nr. Pos.no. | Beschreibung Description | Art.-Nr. Art.no. | Preisgruppe Price bracket |
|---------------------|---|---------------------|------------------------------|
| 7500015 | DB-AG Br 185,2 | | |
| 7510015 | | | |
| 7520015 | | | |
| 1 | Gehäuse komplett Betr. Nr. 6185 389-4 Body assembly compl. loco no. 6185 389-4 | 149682 | 34 |
| 2 | Stromabnehmer DSA 200-350 Pantograph DSA 200-350 | 85383 | 19 |
| 3 | FK - Schraube M2x3,5/7,5 mm FK - Screw | 85771 | 4 |
| 4 | Konusfeder Cone spring | 86202 | 3 |
| 5 | Kardanschale kurz 1,5mm Cardan reception,short | 87129 | 4 |
| 6 | Motordistanzplatte Motor spacer plate | 135856 | 3 |
| 7 | Brückenstecker PluX16 Jumper | 133241 | 10 |
| 8 | Anschlag Stop | 123876 | 3 |
| 9 | GF - Schraube M1,6x5 mm Self-tapping screw | 115269 | 3 |
| 10 | Platine PluX22 PCB PluX22 | 141548 | 20 |
| 11 | Isolator dick Isolator thick | 146238 | 6 |
| 12 | Isolator Isolator | 149684 | 6 |
| 13 | TS - Dachleitungen Part set roof wires | 123006 | 9 |
| 14 | Dachdeckel Roof cover | 149683 | 6 |
| 15 | Motor mit 2 Schwunghmassen Motor with 2 flywheels | 85111 | 28 |
| 16 | TS - Lichtleiter Part set light conductor | 131667 | 12 |
| 17 | TS - Frontgriffe Part set front handrails | 123013 | 6 |
| 18 | Griffstange li.+re. Handrail L+R | 123014 | 7 |
| 19 | TS - Scheibenwischer Part set windscreen wiper | 123016 | 6 |
| 20 | Haltegriff seitlich Lateral handrail | 123017 | 5 |
| 21 | GF - Schraube M2x5 mm Self-tapping screw | 114966 | 3 |
| 22 | TS - Sandkastenleitung Set of sand box pipes | 135877 | 6 |
| 23 | Grundrahmen bedruckt Basic frame printed | 146224 | 18 |
| 24 | TS - Lichtabdeckungen Part set - light covers | 138256 | 6 |
| 25 | E-Lokführer E-Locho driver | 110407 | 6 |
| 26 | Kontaktfeder Contact spring | 116876 | 3 |
| 27 | UIC - dose UIC socket | 129178 | 3 |
| 28 | Pufferbohle Buffer beam | 135873 | 5 |
| 29 | Führerstand Drivers cab | 131669 | 5 |
| 30 | Hupe groß und klein Horn big and small | 132587 | 5 |
| 31 | LED-Platine unten kpl. Lower LED-PCB complete | 143604 | 15 |
| 32 | Stirnfenster Front window | 149685 | 10 |
| 33 | Kohlebürste Carbon brush | 89743 | 6 |
| 34 | Bürstenfeder carbon brush spring | 114197 | 3 |
| 35 | Isolator Isolator | 112869 | 3 |
| 36 | TS - Antenne kurz Part set - Antenna short | 131673 | 5 |
| 37 | Stirntritt li.+re. Front steps L+R | 135857 | 6 |
| 38 | Griff Handle | 133880 | 6 |
| 39 | Antenne kurz Antenna short | 146241 | 3 |
| 40 | Seitenfenster Side window | 148789 | 8 |
| Sound | | | |
| 41 | Platine PluX22 f.Sound PCB PluX22 for sound | 141569 | 22 |
| 42 | Lautsprecher Loudspeaker | 129524 | 13 |
| 43 | Lautsprecherbox Loudspeaker box | 141570 | 5 |
| 44 | Sounddecoder Sound-decoder | 147377 | 39 |



| Pos. Nr. Pos.no. | Beschreibung Description | Art.-Nr. Art.no. | Preisgruppe Price bracket |
|--------------------------|---|---------------------|------------------------------|
| 7500015 | DB-AG Br 185,2 | = | |
| 7510015 | | = | 🔊 |
| 7520015 | | ~ | 🔊 |
| 1 | Haftringsatz 10Stk 12,9-14,6mm Set with traction tyre 10pieces | 40070 | --- |
| 2 | Beilagscheibe Washer | 86108 | 3 |
| 3 | Schneckenzahnrad doppelt Z=16/17 Worm gear wheel double | 86419 | 6 |
| 4 | Zahnrad Z=17 M=0,4 mm G Gear wheel | 86418 | 5 |
| 5 | Standardkupplung Standard coupling | 89246 | 6 |
| 6 | Lager für Schneckenachse Bearing for worm gear axle | 89749 | 6 |
| 7 | Schneckendeckel Worm gear cover | 94707 | 4 |
| 8 | Kontaktalterrahmen Contact support frame | 106765 | 6 |
| 9 | Schneckensatz mit Kardankugel Set of worm gear incl.cardan ball | 108995 | 13 |
| 10 | TS - Blendesteckteile bedr. Set of cover plug-in parts,printed | 132582 | 6 |
| 11 | Kardanwelle Cardan shaft | 108332 | 4 |
| 12 | Schraube M 1,6X5 mm Screw | 115269 | 3 |
| 13 | Zahnrad Z=23 gerade M=0,4 Gear wheel | 111679 | 3 |
| 14 | GF-Schraube M1,6x8 mm Self-tapping screw | 115037 | 3 |
| 15 | Drehgestellblende Bogie frame | 131655 | 12 |
| 16 | Getriebebesatz 3-tlg. Gear set 3-parts | 120055 | 11 |
| 17 | Puffer eckig Rectangular buffer | 123003 | 3 |
| 18 | TS - Sandkasten Part set sand box | 123008 | 8 |
| 19 | Werkzeugkasten und Batteriekasten klein Part set tool box and battery box | 136030 | 8 |
| 20 | TS - Ölleitungen lackiert Part set oil pipes,painted | 123011 | 8 |
| 21 | TS-Luftschläuche+Kupplungsimitation Part set of air pipes&coupling imitation | 123015 | 6 |
| 22 | Schienenräumer Rail guard | 143605 | 5 |
| 23 | SK-Schraube M1,6x4 mm SK-Screw | 115161 | 3 |
| 24 | Radkontakt Wheel contact | 135865 | 4 |
| 25 | Kupplungsfeder Coupling spring | 123024 | 3 |
| 26 | Zurüstbeutel Bag with accessories | 146242 | 12 |
| 27 | Radsatz m. 2 Haftringen und Zahnrad Wheelset w.2 traction tyres and gear wheel | 140063 | 12 |
| 28 | Radsatz m. Zahnrad o. Haftring Wheelset w. gear wheel w/o traction tyres | 140062 | 11 |
| 29 | TS - Kupplung Part set coupling | 123029 | 6 |
| 30 | Pufferhülse Buffer sleeve | 124668 | 3 |
| 31 | Deichselendstück Shaft end | 135859 | 3 |
| 32 | Kurzkupplung-Vorentkupplung Short coupling- pre-uncoupling | 115550 | 6 |
| 33 | Dose Socket | 135858 | 3 |
| 34 | Schnecke Wormgear | 86704 | 6 |
| AC - Wechselstrom | | | |
| 35 | Haftringsatz 10Stk 12,5-15,3mm Set with traction tyres 10pieces | 40075 | --- |
| 36 | Schleifer 42mm Slider | 86030 | 14 |
| 37 | Getriebeboden AC Gear bottom AC | 113321 | 8 |
| 38 | Radsatz o. Haftring o. Zahnrad AC Wheelset w/o tract. tyres and gear wheel AC | 135879 | 10 |
| 39 | Radsatz m. 2 Haftringen und Zahnrad AC Wheelset w.traction tyres w.gear wheel AC | 135880 | 12 |
| 40 | Radsatz m. Zahnrad o. Haftring AC Wheelset w.gear wheel w/o traction tyres AC | 135881 | 11 |
| 41 | Schraube M 1,6X5 mm Screw | 115269 | 3 |